

GTAG12-120 12V120AH

AGM BATTERY - AGM SERIES



Specifications

Nominal Voltage	12V	
Nominal Capacity	120Ah	
Dimensions	Length	406±2mm
	Width	172±2mm
	Height	208±2mm
	Total Height	237±2mm
Approx. Weight	36.6kg±3%	
Terminal Type	T2	
Capacity (25°C)	10HR (12A)	120Ah
Discharge Current Testing (25°C)	1HR (66A)	72Ah
	3HR (30A)	93Ah
Internal Resistance (Fully charged, 25°C)	Approx. 5mΩ	
Cyclic Charging Voltage (25°C)	Initial Charging Current Less Than 36A Voltage 14.6~15.0V	
Float Charging Voltage (25°C)	Charge Voltage 13.6~13.7V	
Capacity affected by temperature	40°C	104%
	25°C	100%
	0°C	83%
	-15°C	65%
Self-discharge (25°C)	3 months	Remaining capacity: 91%
	6 months	Remaining capacity: 82%
	12 months	Remaining capacity: 65%

Applications

- ◆ Uninterruptable Power Supply (UPS)
- ◆ Electric Power System (EPS)
- ◆ Emergency backup power supply
- ◆ Alarm and security system
- ◆ Electronic apparatus and equipment
- ◆ Communication power supply

Remarks:

- Use in normal climate environment with standard range of regulated powered electricity.
- Falling, hitting, bending, etc. may cause degradation of battery characteristics.

Constant current discharge characteristics (A, 25°C)

F.V/Time	10min	15min	30min	60min	2h	3h	5h	8h	10h	20h
9.60V	239.6	205.1	125.3	71.9	42.9	31.5	21.4	13.2	12.2	6.3
10.2V	229.8	197.6	121.2	69.8	42.3	30.6	20.9	12.8	12.1	6.2
10.5V	214.5	187.6	118.2	67.2	42.1	29.8	20.6	12.3	12.0	6.2
10.8V	198.6	174.5	116.1	64.6	41.4	28.7	20.3	11.8	12.0	6.1

Constant power discharge characteristics (W, 25°C)

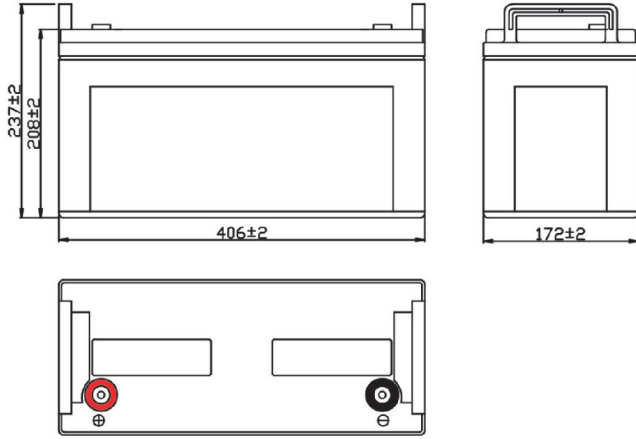
F.V/Time	10min	15min	30min	60min	2h	3h	5h	8h	10h	20h
9.60V	2635.6	2256.1	1441.0	826.9	497.6	365.4	248.2	160.1	141.8	73.1
10.2V	2550.6	2213.1	1405.9	809.7	490.7	354.5	244.8	156.6	140.6	72.4
10.5V	2402.8	2119.9	1382.9	786.2	488.4	345.7	242.4	152.0	139.5	71.9
10.8V	2244.3	1989.3	1370.0	762.3	480.2	332.9	236.6	146.2	138.3	70.8

Capacity factors with different temperature

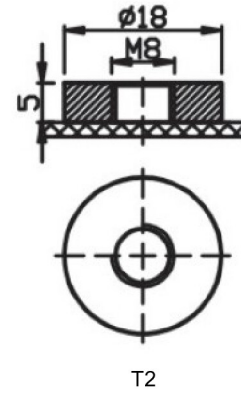
Battery Type	-20°C	-10°C	0°C	5°C	10°C	20°C	25°C	30°C	40°C	45°C
Battery	12V	50%	70%	83%	85%	90%	98%	100%	102%	105%

Note 1: The above are average and data obtained from the first 3 charge/discharge cycles. These are not minimum values.

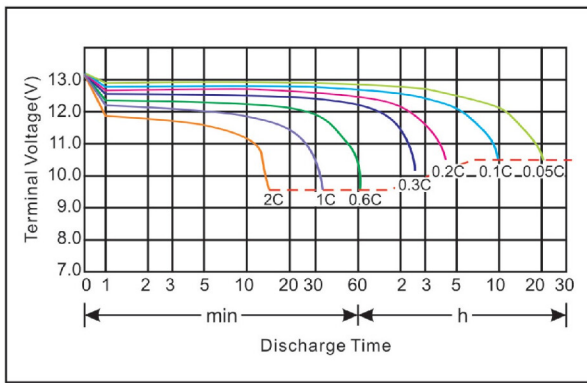
Outer dimensions (mm)



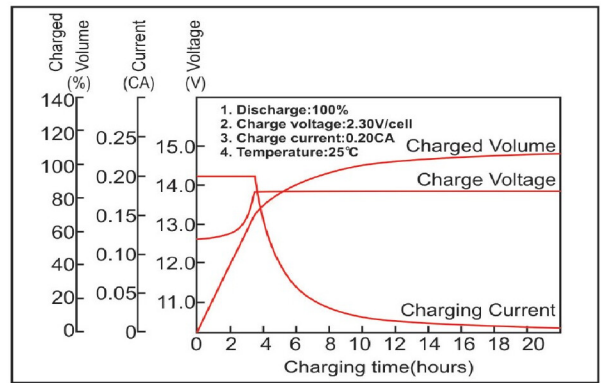
Terminal type (mm)



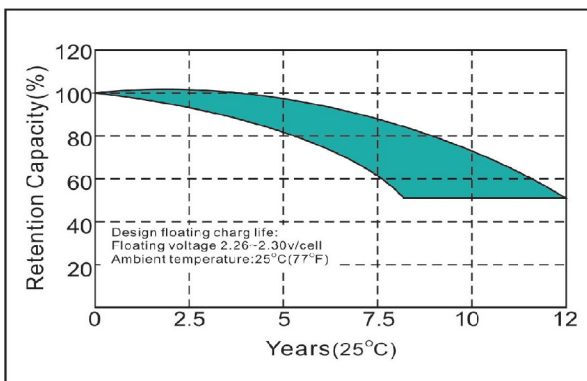
Discharge Current (25°C)



Constant voltage charging characteristics



Cycle service life in relation to the depth of discharge



Residual Capacity (Design life)

