

GTAG12-18 12V18AH

AGM BATTERY - AGM SERIES



Specifications

Nominal Voltage	12V	
Nominal Capacity	18Ah	
Dimensions	Length	181±2mm
	Width	77±2mm
	Height	167±2mm
Approx. Weight	5.0kg±3%	
Terminal Type	L2, T8	
Capacity (25°C)	20HR Rate (0.9A)	18Ah
	Discharge Current Testing (25°C)	
20 I ₂₀ rate (18A, 27min)		30min
60 I ₂₀ rate (54A, 7min)		7min
Internal Resistance (Fully charged, 25°C)	Approx. 18mΩ	
Cyclic Charging Voltage (25°C)	Initial Charging Current Less Than 5.4A Voltage 14.6~15.0V	
Float Charging Voltage (25°C)	Charge Voltage 13.6~13.7V	
Capacity affected by temperature	40°C	104%
	25°C	100%
	0°C	83%
	-15°C	65%
Self-discharge (25°C)	3 months	Remaining capacity: 91%
	6 months	Remaining capacity: 82%
	12 months	Remaining capacity: 65%

Applications

- ◆ Uninterruptable Power Supply (UPS)
- ◆ Electric Power System (EPS)
- ◆ Emergency backup power supply
- ◆ Alarm and security system
- ◆ Electronic apparatus and equipment
- ◆ Communication power supply

Remarks:

- Use in normal climate environment with standard range of regulated powered electricity.
- Falling, hitting, bending, etc. may cause degradation of battery characteristics.

Constant current discharge characteristics (A, 25°C)

F.V/Time	5min	10min	15min	30min	60min	2h	3h	5h	8h	10h	20h
9.60V	63.8	40.2	29.8	18.2	10.6	6.2	4.55	2.95	2.03	1.71	0.92
10.2V	57.3	37.1	27.9	17.4	10.2	6.1	4.50	2.86	1.98	1.68	0.91
10.5V	54.2	35.6	26.8	16.8	9.9	6.0	4.36	2.78	1.95	1.66	0.90
10.8V	51.3	33.9	25.5	16.5	9.6	5.9	4.25	2.71	1.91	1.62	0.88

Constant power discharge characteristics (W, 25°C)

F.V/Time	5min	10min	15min	30min	60min	2h	3h	5h	8h	10h	20h
9.60V	689.0	438.2	327.8	203.8	122.0	71.3	52.8	34.5	24.0	20.3	10.9
10.2V	630.3	411.8	312.5	196.6	116.3	70.2	52.2	33.5	23.4	19.7	10.8
10.5V	601.6	398.7	302.8	191.5	113.9	70.2	51.0	32.8	23.2	19.6	10.7
10.8V	574.6	383.1	290.7	189.8	110.4	69.0	49.7	32.0	22.7	19.2	10.4

Capacity factors with different temperature

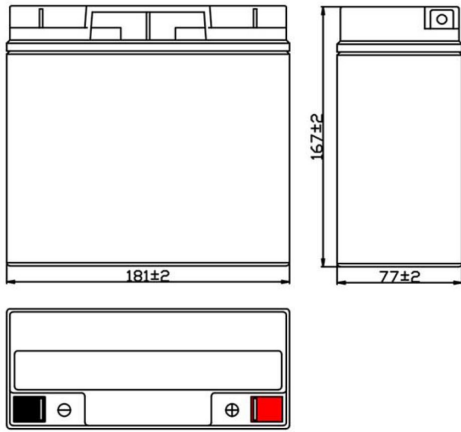
Battery Type	-20°C	-10°C	0°C	5°C	10°C	20°C	25°C	30°C	40°C	45°C
Battery	12V	50%	70%	83%	85%	90%	98%	100%	102%	104%

Note 1: The above are average and data obtained from the first 3 charge/discharge cycles. These are not minimum values.

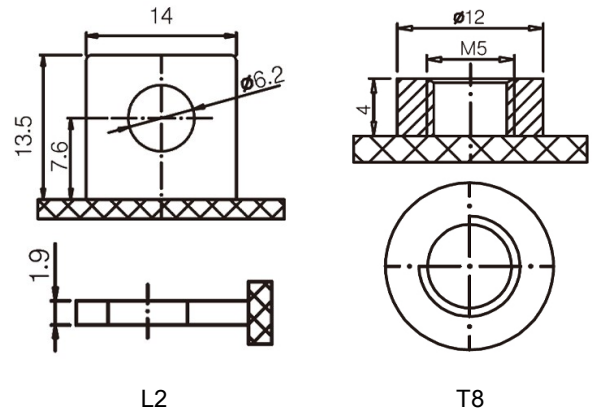
GTAG12-18 12V18AH

AGM BATTERY - AGM SERIES

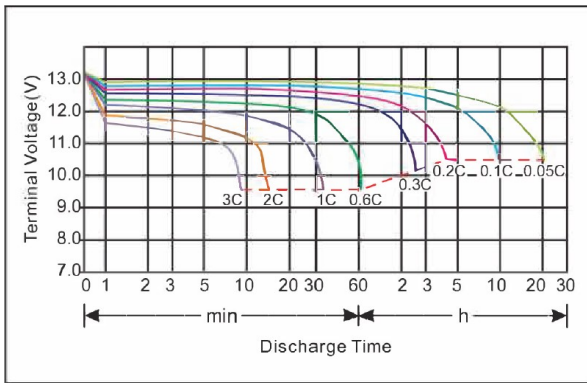
Outer dimensions (mm)



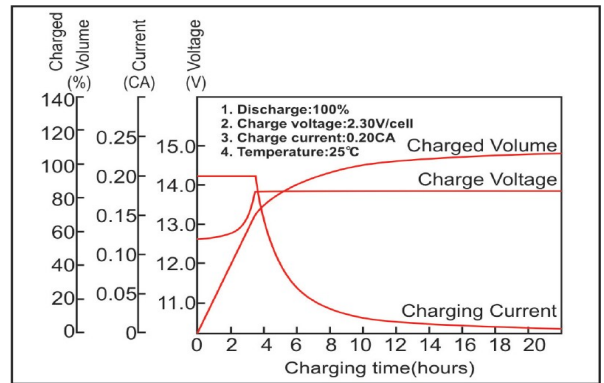
Terminal type (mm)



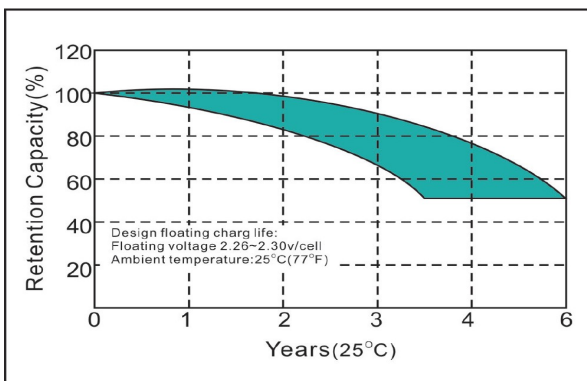
Discharge Current (25°C)



Constant voltage charging characteristics



Cycle service life in relation to the depth of discharge



Residual Capacity (Design life)

